



7922 | A 6 digit supertwist LCD programmable 2-preset/preset & batch bi-directional counter with prescaler and EEPROM data storage in an IP65 DIN case

7922

This versatile counter with prescaling can be configured for quadrature or uni-directional inputs, dual preset or single preset with batch preset. Reset can be automatic, manual or electronic with a sink (NPN) or source (PNP) input. The display is a supertwist high visibility backlit LCD which can be viewed from any angle. The count is on the main display and the preset value (or batch preset) is on the subsidiary display.

Features

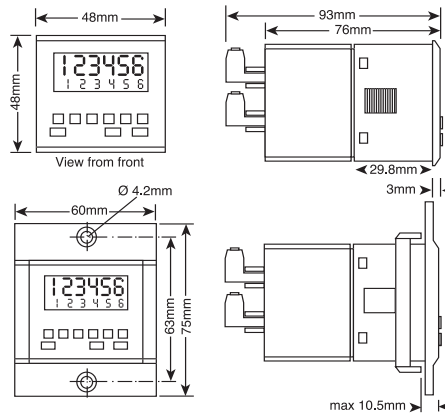
- Simple programming via menu driven display.
- High visibility supertwist LCD display can be viewed from any angle.
- Backlight programmable ON, OFF or AUTO.
- 40 years data retention with no power.
- Two programmable preset points.
- Decimal point can be set up to 3 decimal places.
- Wide range of prescaling.
- 12VDC output to drive a sensor (when AC powered).
- 85-265VAC or 10-26VDC for world-wide use.
- Two output relays with contacts rated at 5A.
- Output relays individually programmable to NO or NC.
- Outputs can be set to latch or set to pulse with individually programmable pulse durations.
- CE, UL and cUL approved.

Typical Applications

- Batch counting and control
- Coil winding and wire cutting
- Packing line control

Product Dimensions

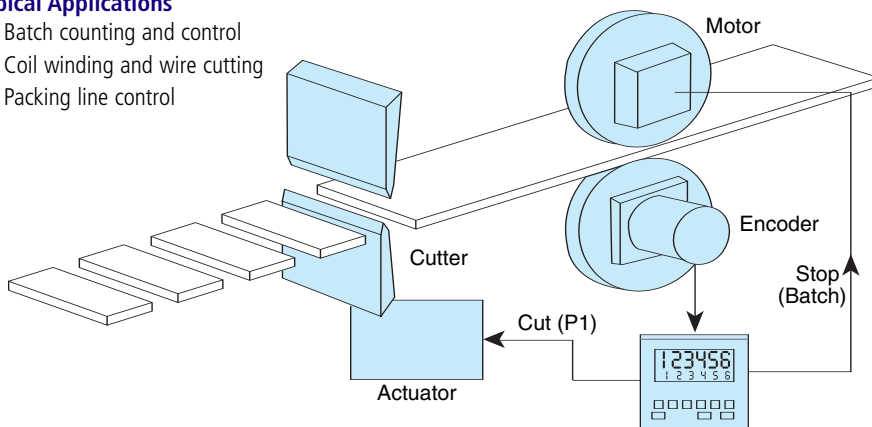
48mm x 48mm (1.89" x 1.89").
83mm (3.27") depth including rear connectors
Panel cutout 45mm x 45mm



All programming, reset and presetting can be carried out from the front panel. When powered from the mains, there is a 12VDC output to drive a sensor.

The key below each digit sets the P1 or P2 (or batch) preset value on the Subsidiary Display. The red reset key resets the display count to zero or P1 (according to programming). In normal operation the colon illuminates whenever relay 1 is active. In P2 Set mode an annunciator illuminates whenever relay 2 is active.

Cut-to-length with Batch Pre-set



Specifications

Supply Voltage

85 - 265VAC or 10 - 26VDC at 100mA

Auxiliary output supply

12VDC (20% 0-%) @ 75mA (when operating from AC supply)

Display

2 rows of 6 digits, supertwist black on silver LCD with yellow/green LED backlight. Upper row 7mm (0.28in) high indicates count, lower row 4mm (0.16in) high indicates P1/P2 preset point. Also Relay 1 Active annunciator

Backlight control

Programmable to Always ON, Always OFF or AUTO (ON for 30s following last keypress)

Preset Points

Two user selectable preset points 1 - 999999

Count Inputs

5 - 30VDC. Quadrature and uni-directional Input A (quadrature and uni-dir. count) NPN or PNP Input B (quadrature and UP/DOWN in uni-dir. mode) Maximum input frequency 10kHz Duty cycle Maximum 60:40 or 40:60 mark/space ratio. Prescaler Multiply 0.00001 - 9.99999, default 1.00000. Divide 1 - 99999, default 00001

Manual Reset

Can be disabled on installation or remotely reset

Remote Reset

Contact closure or pulse (15 ms response time)

Automatic Reset Programmable for automatic or Manual/Remote reset

Data retention

40 years minimum

Output Relays

Both individually programmable as NO or NC SPST. Contact Rating 5A 260VAC/30VDC 1300VA/150W.

Operating Temp.

-10 to +60°C

Storage Temp.

-20°C to +70°C

Environmental protection

IP65 4 when properly installed using the sealing gasket supplied (without bezel)

ORDER INFORMATION

Order by type number:

7922