

Line-EDS-Cloud Efficiency Data Server



Description

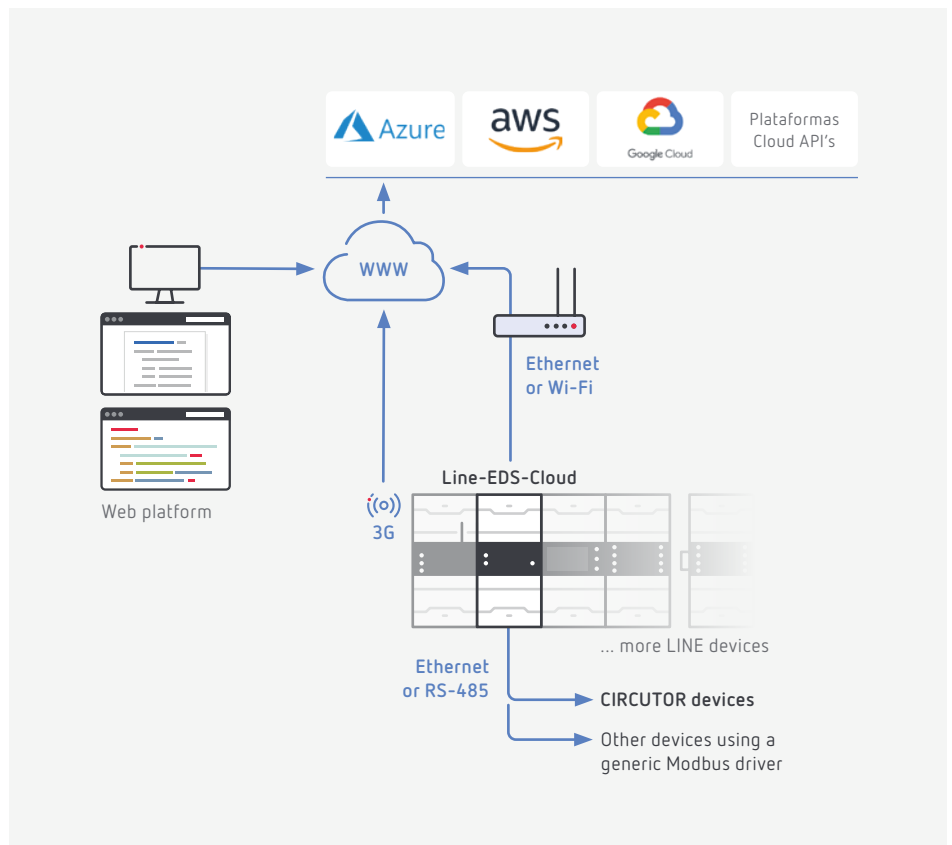
The line-EDS-cloud is a gateway designed to integrate field devices with monitoring and telemanagement systems located in the cloud. This module allows reading the variables from any Modbus device (TCP or RTU) on the market and upload them to cloud platforms, such as AmazonWebServices, Google platform or Azure.

By programming the device, you can incorporate any actuating logic for analogue or digital outputs, allowing you to create an automated management system that performs actions based on the input signals.

The device can be connected via cabled (Ethernet) or wireless (Wi-Fi) networks.

Applications

This device can be used to measure and control any installation, integrating it into cloud platforms:



Line-EDS-Cloud Efficiency Data Server



Technical specifications

AC power supply	Nominal voltage	80... 264 Vac
	Frequency	50... 60 Hz
	Consumption	2.5... 7 VA
	Installation category	Cat III 300V
DC Power supply	Nominal voltage	100 ...300 Vdc
	Consumption	1.5... 2.5 W
	Installation category	Cat III 300V
Digital outputs	Quantity	2
	Type	Optocoupled (Open Collector)
	Maximum voltage	48 Vdc
	Maximum current	120 mA
	Maximum frequency	500 Hz
	Pulse width	1 ms
RS-485 Communications	Fieldbus	RS-485
	Communications protocol	Modbus RTU
	Speed	9600 - 19200 - 34800 - 57600 - 115200 bps
	Data bits	8
	Stop bits	1-2
	Parity	none-even-odd
Ethernet communications	Type	Ethernet 10BaseT - 100BaseTX
	Connector	RJ-45
	Protocol	Web server - XML
Wi-Fi communications	Band	2.4 GHz
	Standards	IEEE 802.11 ac/ a /b /g /n
	Output power	8.9 dBm
	Effective radiated power (ERP)	11.25 dBm
	Effective isotropic radiated power (EIRP)	13.4 dBm
Environmental characteristics	Operating temperature	-10... +50 °C
	Storage temperature	-20... +80 °C
	Relative humidity (without condensation)	5... 95%
	Maximum height	2000 m
	Protection degree	IP 30
Mechanical characteristics	Dimensions	52.5 x 118 x 70 mm
	Weight	180 g
	Enclosure	V0 self-extinguishing
	Fixing	DIN rail
Standards	EN 61010-1, EN 61000-6-2, EN 61000-6-4, UL 61010-1	

Line-EDS-Cloud Efficiency Data Server

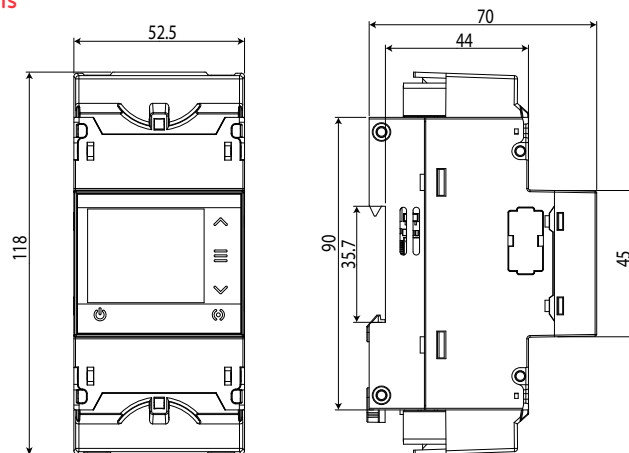


References

Code	Type	Integrated software	Communication
M61055.	Line-EDS-Cloud	APIs from Azure, AWS, GOOGLE, Cloud API platforms	Ethernet / Wi-Fi / RS-485 / Bus-Line

Bus-Line: RS-485 communications system, with side connector between modules

Dimensions



Assembly

