

# Digital Potantiometer

EPM-3790N / EPR-3790N



## EPM-3790N

Forward, Reverse direction outputs and error input for V/F Speed Controller

## EPR-3790N

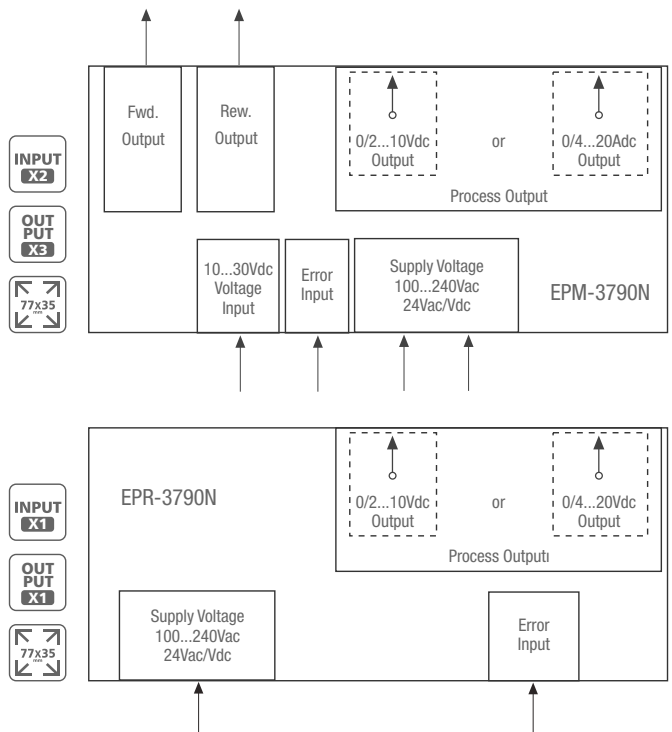
Fault input or (Remote start-stop)

### Specifications

- Operation at Adjustable Set Value
- Ramp Function
- Economical
- Easy to User
- 4 Digits Display
- Easily adjustable set value from front panel
- Configurable display scale between -1999 and 9999
- Adjustable decimal point
- Set value low limit and set value high limit boundaries
- Adjustable ramp up and ramp down time
- 0/2...10Vdc Voltage output or 0/4...20mAdc Current output (It must be determined in order.)
- Password protection for programming and adjustment sections

### Technical Specification

- Digital Input:** Error input (max. 3mA@30Vdc)
- Resolution:** 12 bits
- Fluctuation:** Max. 30 mV
- Scale:** Between-1999 and 9999



EPM-3790N (77x35x62,5mm)  
EPR-3790N (77x35x62,5mm)

- A Power Supply
- 2 24Vac/dc (±15%) 50/60Hz
- 3 24Vac (±15%) 50/60Hz
- 4 115Vac (±15%) 50/60Hz
- 5 230Vac (±15%) 50/60Hz
- 8 10 - 30Vdc

- Output E
- Current Output (0/4...20mA) 4
- Voltage Output (0/2...10V Maks. 10mA) 5