

Counters & Timers

Digital Tachometer

ERM 3770-N

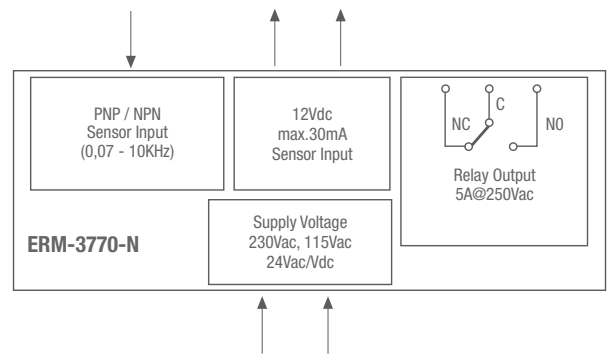


- ▶ 0.07Hz to 10000Hz input signal
- ▶ Working with Process Set and Alarm Set value

- ▶ Set Decimal Point
- ▶ Automatic sampling (1 sec to 16 sec)

Specifications

- 4 Digits Display
- Adjustable decimal point
- Division rate
- NPN or PNP input type
- Alarm output
- Relay or SSR driver output (It must be determined in order.)
- Alarm Set value boundary
- Programming mode password protection



Technical Specification

- Accuracy:** 0.01% of scale
- Counting Inputs:** Ch-A, Ch-B (Switch, proximity, capacitive sensor or encoder can be connected.)
- Sensor Supply Voltage:** NPN or PNP selectable as
- Sensor Input Type:** INC, DEC, INC/DEC, INC/INC, UP/DOWN Max. 20KHZ.
- x1 / x2 /x4 Counting for phase shift (for incremental encoder); Maximum 10 KHZ



ERM-3770-N (77x35x62,5mm)

- Process Output **E**
- Relay Output: (5A @ 250Vac), 1NO+1NC **1**
- SSR Driver Output: (28mA, 15Vdc Max.) **2**

- A** Supply Voltage
- 2** 24Vac/dc (-%15;+%10) 50/60 Hz
- 3** 24Vac (±%15) 50/60 Hz
- 4** 115Vac (±%15) 50/60 Hz
- 5** 230Vac (±%15) 50/60 Hz