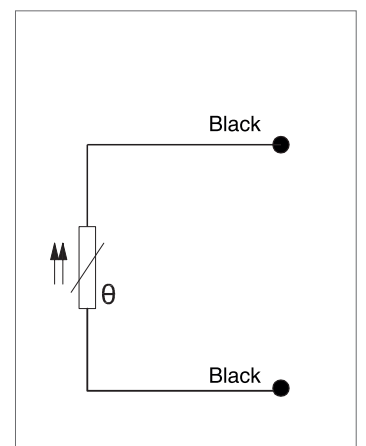
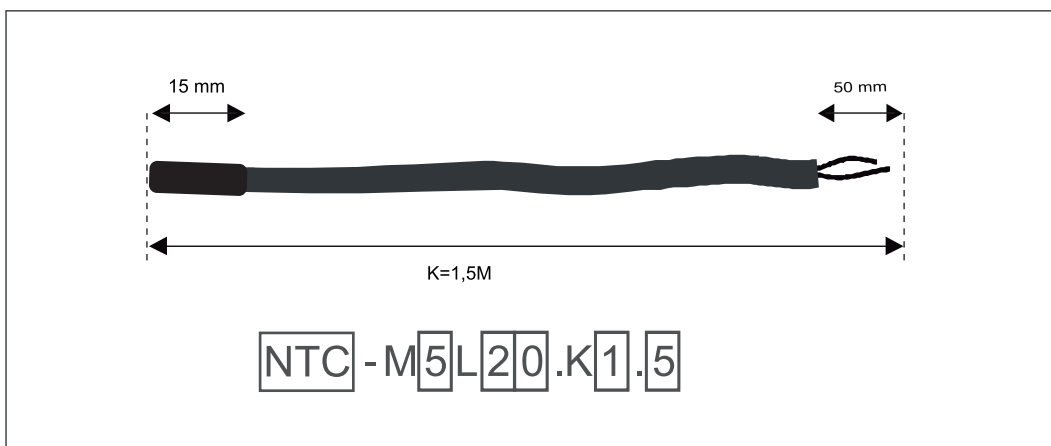


► (NTC)Type
NTC-M5L20.K1.5



- Max. operating temperature : -50 C / +100 C
- Standard cable types : Thermoplastic, Waterproof
- Sensor type : NTC 10K
- Protection tube material : Thermoplastic

► Technical drawing



- Immersion Length (L) : 15 mm
- Cable Length (K) : 1,5M