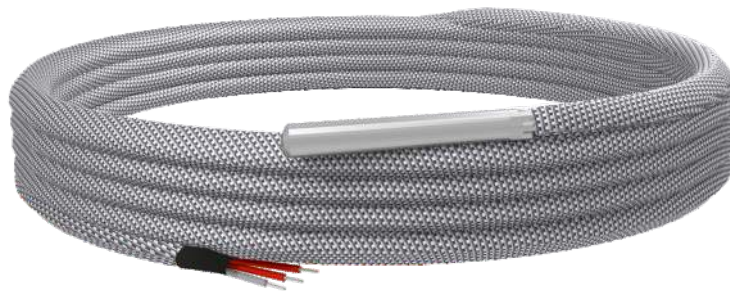
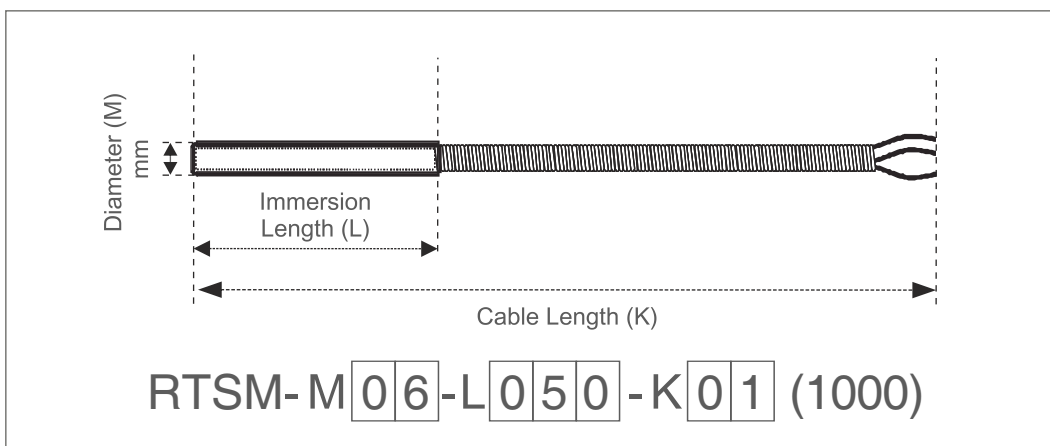


► (RTSM) Bayonet Bore Type with Braided Wire Cable
RTSM-M06-L050-K01 (1000)

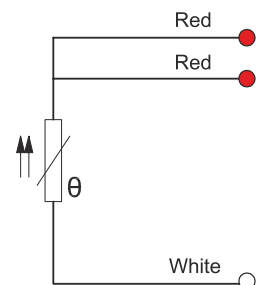


- Max. operating temperature : -50 C / +400 C
- Standard cable types : Fiber glass + fiber glass + braided wire
- Sensor type : DIN/EN 60751 "Class B" 1xPt-1000
- Protection tube material : AIS304 (DIN1.4301) Stainless Steel

► Technical drawing



PT-1000 Connections



- Diameter (M) : 6 mm
- Immersion Length (L) : 50 mm
- Cable Length (K) : 1 m