

Linear Potentiometer Internal Spring Return, Slim Body Series

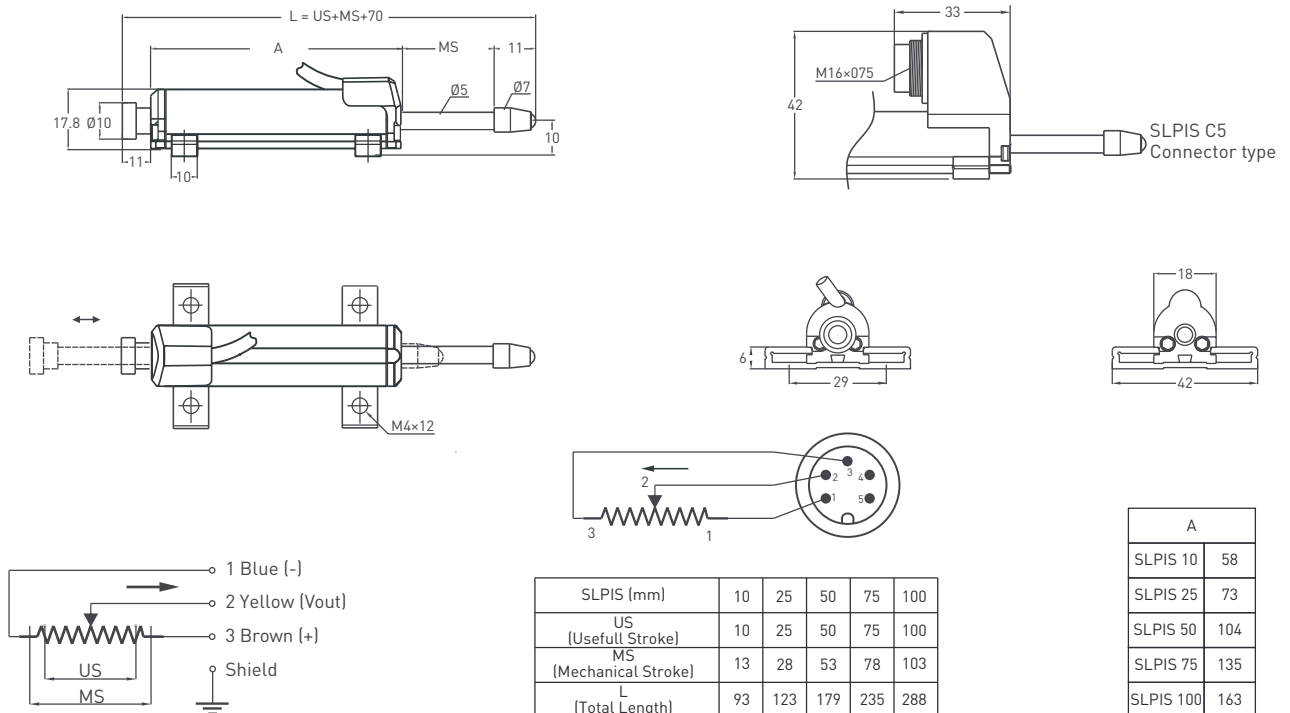
- Measuring range 10 - 100 mm
- For tight are applications
- ≤ 0.002 mm repeatability
- Infinite resolution
- 2 kOhm : 10 - 50 mm
- 5 kOhm : 75 - 100 mm



Technical Specifications

Measurement stroke	10 - 100 mm
Linearity	≤ 0.2 for 10-25 mm ≤ 0.15 for 50 mm ≤ 0.1 for 75-100 mm
Repeatability	≤ 0.002 mm
Resolution	Infinite
Resistance	2 kOhm : 10 - 50 mm 5 kOhm : 75 - 100 mm
Resistance tolerance	$\pm 20\%$
Recommended wiper current	$< 1 \mu A$
Permissible applied voltage	28 VDC max.
Electrical connections	Connector or 1 m cable output
Displacement speed	< 5 m/s
Mechanical life	100 millions movement
Case dimensions	$\varnothing 18$ mm
Case material	Anodized aluminium
Rod material	Stainless steel
Rod diameter	$\varnothing 5$ mm
Mechanical fixing	Variable brackets
Protection level	IP 40
Operating temperature	$-30^{\circ}C \dots +100^{\circ}C$
Storage temperature	$-30^{\circ}C \dots +100^{\circ}C$

Mechanical Specifications



Ordering Procedure

Model	Measurement stroke (mm)	Linearity (%)	Resistance (kOhm)	Connector / Cable
SLPIS	25	B	5K	1M
SLPIS	10 - 100 mm	B: $\leq \pm 0.2$ (10-25 mm) C: $\leq \pm 0.1$ (75-100 mm) F: $\leq \pm 0.15$ (50 mm)	2K: 2 kOhm (10-50 mm) 5K: 5 kOhm (75-100mm)	1M : 1 meter cable (standard) C5 : Connector

Above given technical data are only for information purpose. OPKON has right to change product specifications without notice.