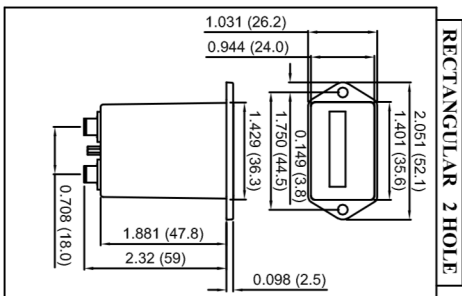
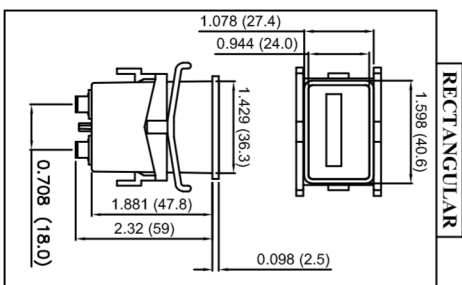


MOUNTING INFORMATION & WIRING DIAGRAMS

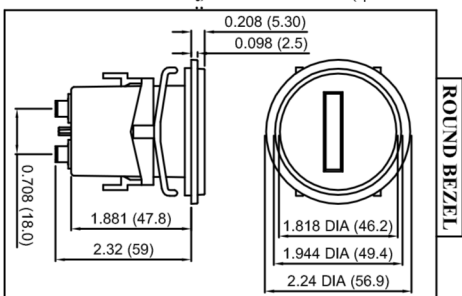
722 Series - (Alternating Current) : 90-264 VAC



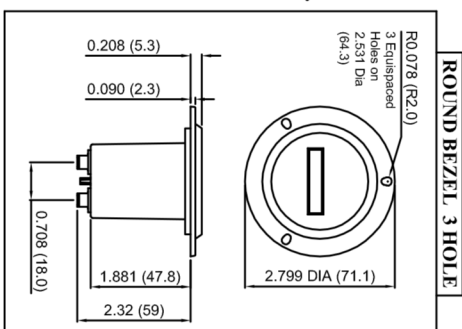
RECTANGULAR 2 HOLE
Rectangular 2 Hole Mount :
Panel Cutout 1.45 x 0.95 (36.8 x 24.1)
Rectangular opening. Two .150 (3.8) holes spaced 1.750 (44.5).
 Max. Panel Thickness : 0.401 (10.20)



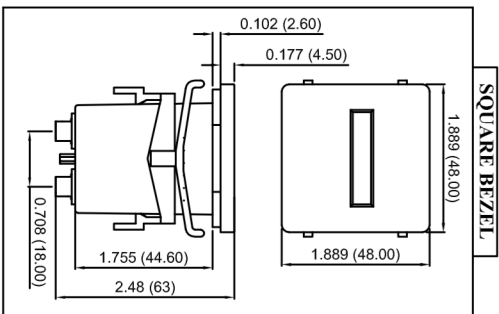
RECTANGULAR
Rectangular Mount :
Panel Cutout 1.45 x 0.95 (36.8 x 24.1)
Rectangular opening.
 Max. Panel Thickness : 0.401 (10.20)



ROUND BEZEL
Round Bezel Mount :
Panel Cutout 2.00 (50.8) diameter opening.
 Max. Panel Thickness : 0.401 (10.20)



ROUND BEZEL 3 HOLE
Round Bezel 3 Hole Mount :
Panel Cutout 2.00 (50.8) diameter opening. Three 0.149 (3.8) holes equally spaced on 2.52 (64.26) bolt circle diameter.
 Max. Panel Thickness : 0.401 (10.20)



SQUARE BEZEL
Square Housing 48 x 48 Panel cutout 45 x 45 opening.
 Max. Panel Thickness : 0.401 (10.20)

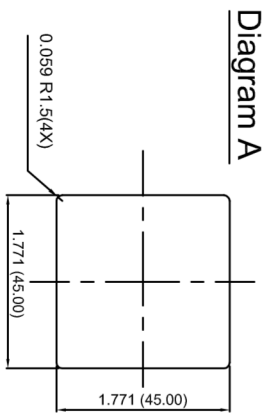


Diagram A

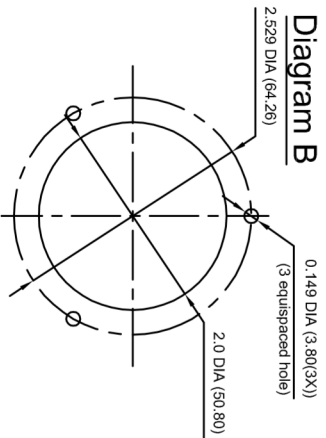


Diagram B

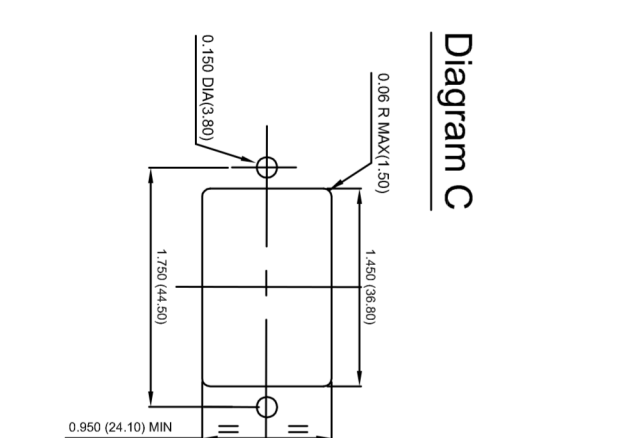
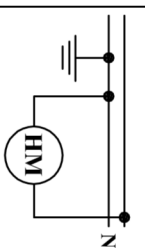


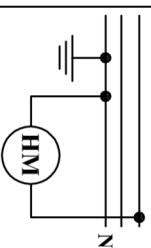
Diagram C

Max. Panel Thickness : 0.029 (0.76) to 0.401(10.20)
 Panel cutout Dimensions - Tolerance : ± 0.010 (0.30)
 All dimensions are in Inches , () dimensions are in mm

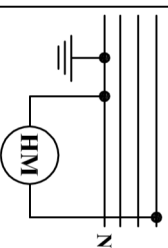
722 Series Wiring Diagram For AC Hour Meter Application



Single phase, 2 wire, 120/240 V system: Connect power wire to one terminal and neutral wire to opposite terminal.



Single phase, 3 wire, 120/240 V system: Connect any one power wire to one terminal and neutral wire to opposite terminal.



Three phase, 4 wire, 120/240 V system: Connect any one power wire to one terminal and neutral wire to opposite terminal.