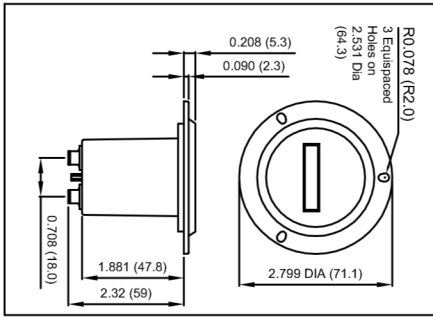


# MOUNTING INFORMATION & WIRING DIAGRAMS

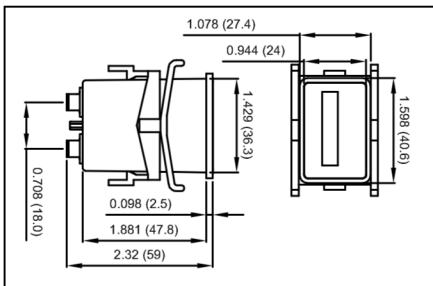
## 732 Series - (Direct Current) : 10-80 VDC

### ROUND BEZEL 3 HOLE



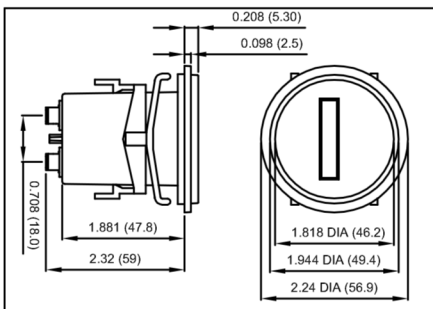
**Round Bezel Mount :**  
**3 Hole Mount :**  
**Panel Cutout diameter opening:**  
**Three 0.149 (3.8) holes equally spaced on 2.52 (64.26) bolt circle diameter.**  
**Max. Panel Thickness :**  
 0.401 (10.20)

### RECTANGULAR



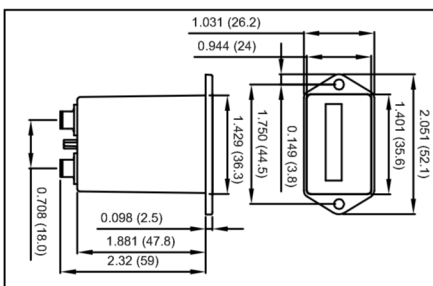
**Rectangular Mount :**  
**Panel Cutout 1.45 x 0.95 (36.8 x 24.1) Rectangular opening.**  
**Max. Panel Thickness :**  
 0.401 (10.20)

### ROUND BEZEL



**Round Bezel Mount :**  
**Panel Cutout 2.00 (50.8) diameter opening.**  
**Max. Panel Thickness :**  
 0.401 (10.20)

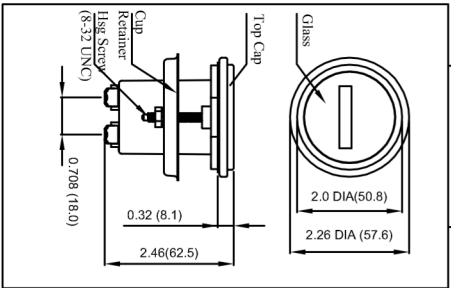
### RECTANGULAR 2 HOLE



**Rectangular 2 Hole Mount :**  
**Panel Cutout 1.45 x 0.95 (36.8 x 24.1) Rectangular opening. Two .150 (3.8) holes spaced 1.750 (44.5).**  
**Max. Panel Thickness :**  
 0.401 (10.20)

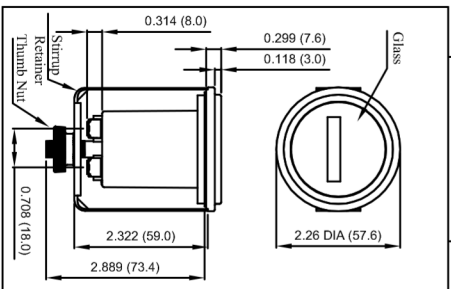
All dimensions are in Inches , ( ) dimensions are in mm

### CUP MOUNT



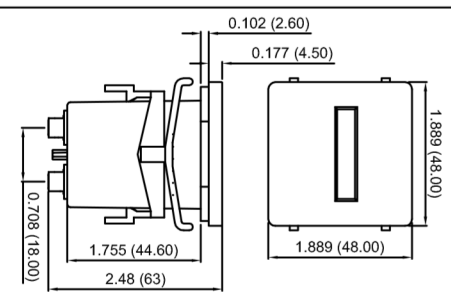
**Cup Mount Panel Cutout diameter opening**  
**2.00 (50.8)**  
**Max. Panel Thickness :**  
 0.401 (10.20)

### STRIPP MOUNT



**Stripp Mount Panel Cutout diameter opening**  
**2.00 (50.8)**  
**Max. Panel Thickness :**  
 0.401 (10.20)

### SQUARE BEZEL



**Square Housing 48 x 48 Panel cutout 45 x 45 opening.**  
**Max. Panel Thickness :**  
 0.401 (10.20)

See Over Leaf For Panel Cutout Details.

### 732 Series Wiring Diagram (Polarity Sensitive)

For DC Hour Meter Application

